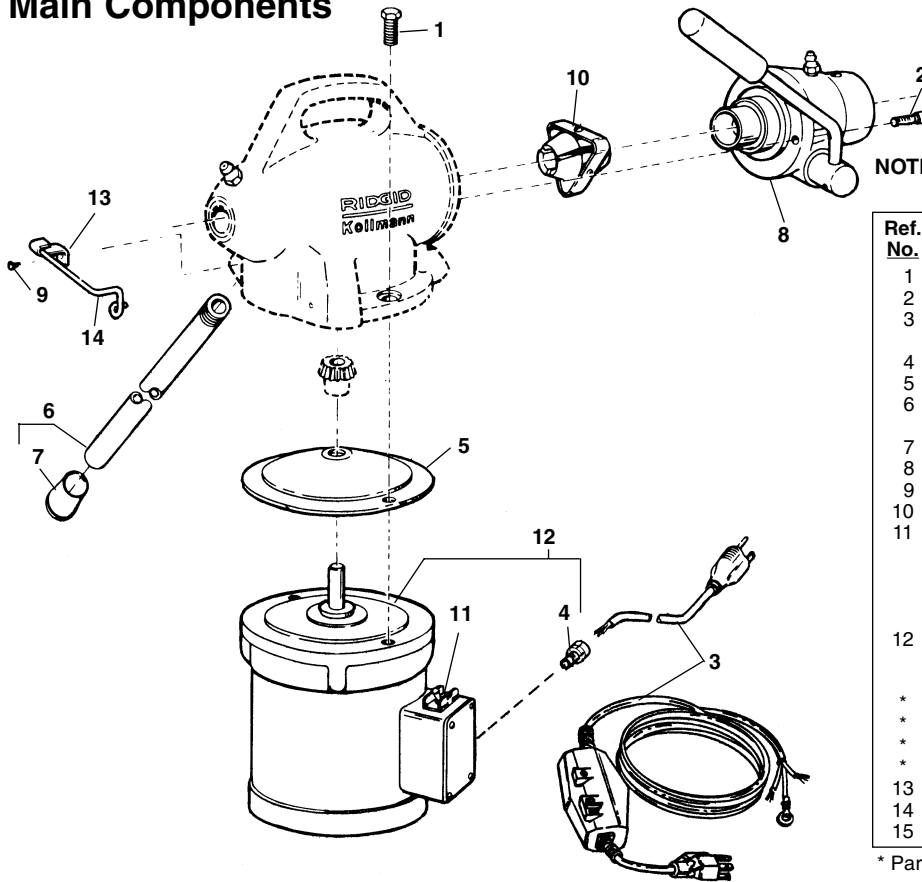


**Main Components**

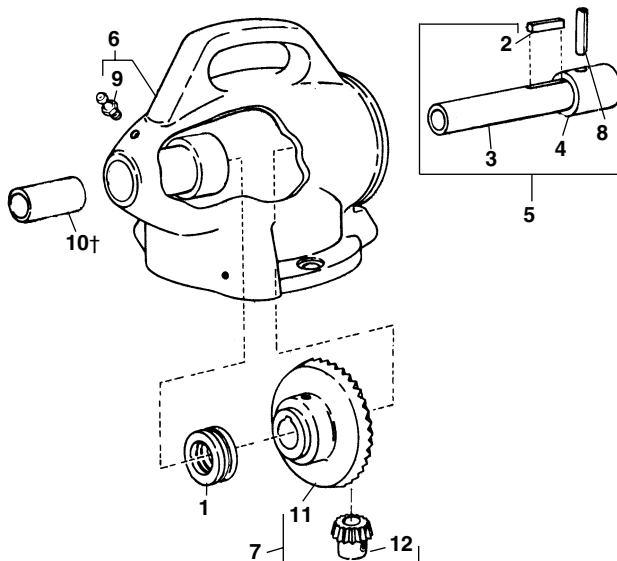


**NOTE: Order parts by Catalog Number only. DO NOT order by Reference Number.**

Ref. No.	Catalog No.	Description
1	59785	Screw (2)
2	60910	Screw (2)
3	50507	Cord with GFCI
	27656	Cord (Europe)
4	96265	Strain Relief
5	61935	Insulating Motor Gasket
6	59825	Legs w/Rubber Feet (3 per set) (Incl. Ref. No. 7)
7	59965	A-2240 Rubber Feet (3)
8	59975	A-2244-X Rack and Pinion Assembly
9	59990	A-2256 Screw (2)
10	59450	A-3179 Clutch Jaw Assembly
11	95845	Switch DPDT - 6 Terminal (Emerson Motor)
	41817	Switch 3PDT - 9 Terminal 115/230V 50/60Hz (Emerson Motor)
12	24236	Switch (K-50 X Germany))
	69265	Motor Assembly - 115V (Incl. Ref. Nos. 4 and 11)
	16716	Motor Assembly (230V Europe)
*	31336	Motor Shaft Seal (Europe)
*	31346	Switch Cover (Europe)
*	24246	Switch Box (Europe)
*	29976	Run Capacitor (Europe)
13	89800	Catch
14	89805	Pin
15	84507	K-50 Contact Switch 115V (Parts Not Shown)

\* Parts Not Shown - Europe Only

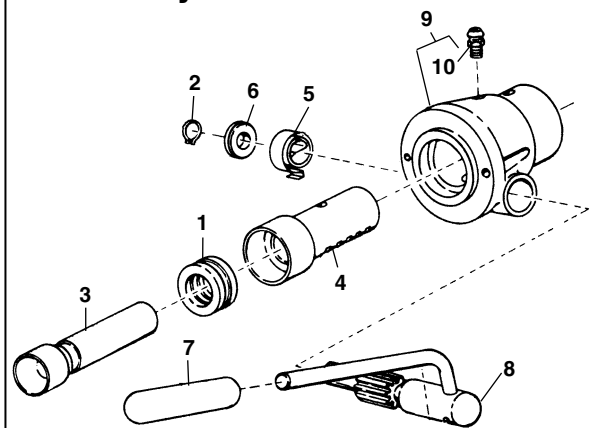
**Bevel Gear and Related Parts**



Ref. No.	Catalog No.	Description	Ref. No.	Catalog No.	Description
1	59945	Bearing	7	60985	Bevel and Pinion Gear w/Set Screws
2	60680	Key	8	76830	Spring Pin
3	61570	Shaft	9	89810	Grease Fitting
4	61575	Cone	10†	61715	Bronze Bushing
5	59695	Shaft with Cone	11	24577	Bevel Gear w/Key
6	59960	Body	12	24572	Pinion Gear w/Key

† Service Note: After replacing Bronze Bushing a 1/4" drill bit must be used for drilling a grease hole port for grease fitting.

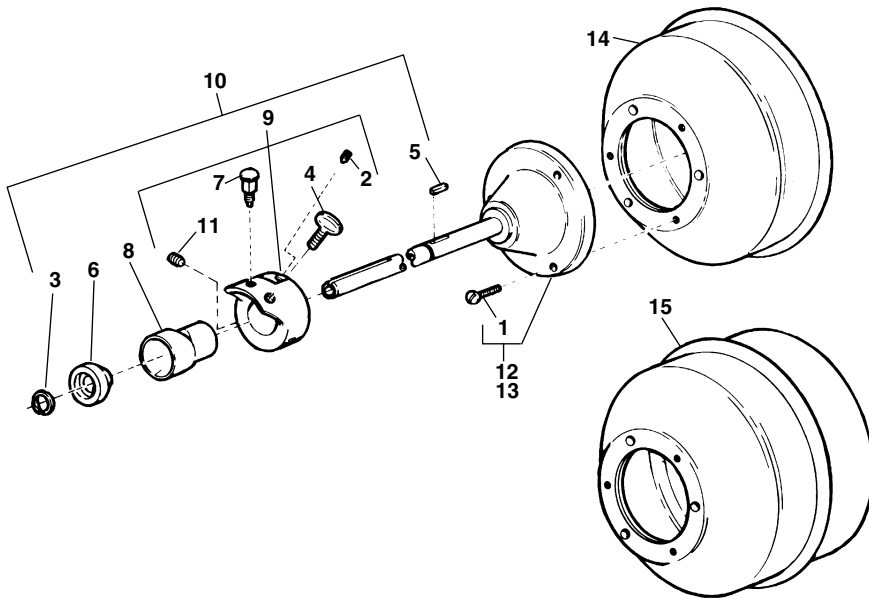
**Rack and Pinion Assembly No. A-2244**



Ref. No.	Catalog No.	Description
—	59975	Rack & Pinion Assembly
1	59945	Bearing
2	60860	Retaining Ring
3	61580	Rear Clutch Cone Sleeve
4	61585	Gear Rack
5	61595	Pinion Spring
6	61600	Pinion Stem Washer
7	61605	Handle Grip
8	59980	Handle with Pinion Assembly
9	60965	Rack and Pinion Housing (Incl. Ref. No. 10)
10	89810	Grease Fitting

### Cable Adapters

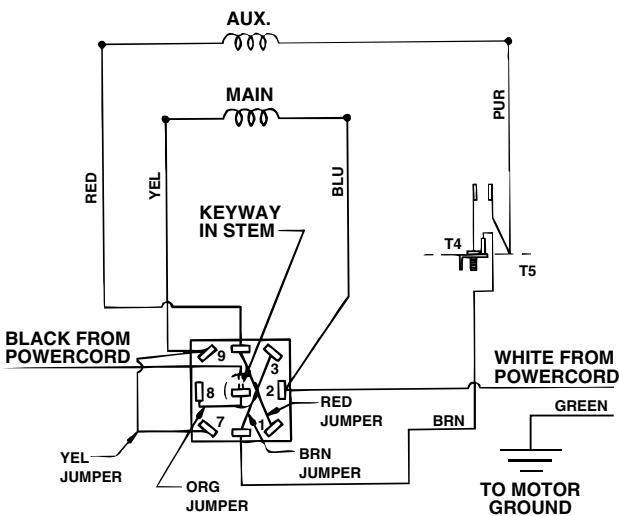
Cable No.	Description
59250	A-17-A Cable Adapter (Includes C-1 Cable - 5/16" x 25' long with Bulb Auger)
59245	A-17-A Cable Adapter - Less Cable
59255	A-17-B Cable Adapter (Includes C-5 Cable - 3/8" x 35' long with Bulb Auger)
59260	A-17-B Cable Adapter - Less Cable
59265	A-17-C Cable Adapter (Includes C-6 Cable - 3/8" x 35' long with Male Coupling)
59260	A-17-C Cable Adapter - Less Cable
92095	A-17-D Cable Adapter (Includes C-21 Cable - 5/16" x 50' long with Bulb Auger)
92100	A-17-E Cable Adapter (Includes C-22 Cable - 5/16" x 50' long with Drop Head Auger)



**NOTE: Order parts by Catalog Number only. DO NOT order by Reference Number.**

Ref. No.	Catalog No.	Description
1	61540	Screw (3)
2	61550	Screw
3	61555	Retaining Ring
4	79935	Thumb Screw (2)
5	61565	Key
6	61735	Brake Cone (Male)
7	59510	Plunger Pin
8	59630	Brake Cone (Female)
9	59760	Adapter Bracket (Incl. Ref. Nos. 7, 4, 2 and 11)
10	59790	Adapter Bracket Assembly (Incl. Ref. Nos. 3, 5, 6, 8 and 9)
11	60025	Screw (2)
12	60325	Tube and Flange with Screws (5/16" Cable Adapter) (Incl. Ref. No. 1)
13	60335	Tube and Flange with Screws (3/8" Cable Adapter) (Incl. Ref. No. 1)
14	63255	Cable Container (5/16" x 25' Cable Only)
15	63250	Cable Container (3/8" x 35' and 5/16" x 50' Cable)

### K-50 Motor Wiring 120V 50/60Hz



### K-50 Motor Wiring 230V 50Hz

